

REVISION RECORD			
LTR	REVISION	DATE	APVD:
G,H,J	INCORP ECD 49 ,64, 80 152, 161-164, 174	4-5-94 TH	
K	INCORP ECD: 292,302,304,307,363,374, 377, 378,332	11-18-94 KR	

2. ALL CAPACITORS ARE IN UF
1. ALL RESISTORS ARE 1/8 WATT 5%

NOTES: UNLESS OTHERWISE SPECIFIED

DRAWN:		DATED:	
CHECKED:		DATED:	
QUALITY CONTROL:		DATED:	
RELEASED:		DATED:	
SCALE:		SHEET: 1 OF 3	

MACKIE.
SCHEMATIC
1202

990-007-00

REV: **K**

6

5

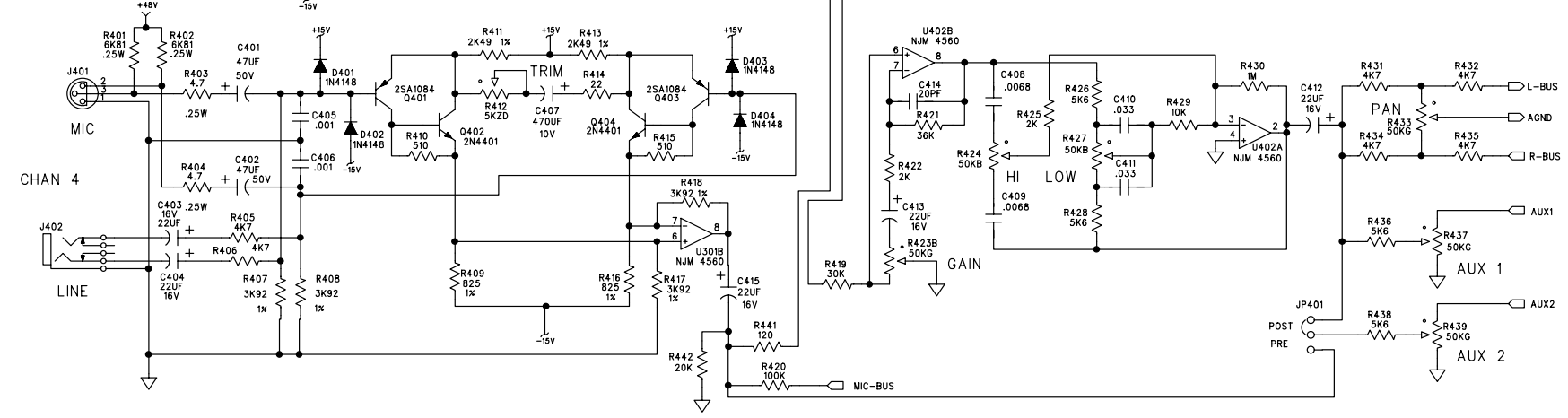
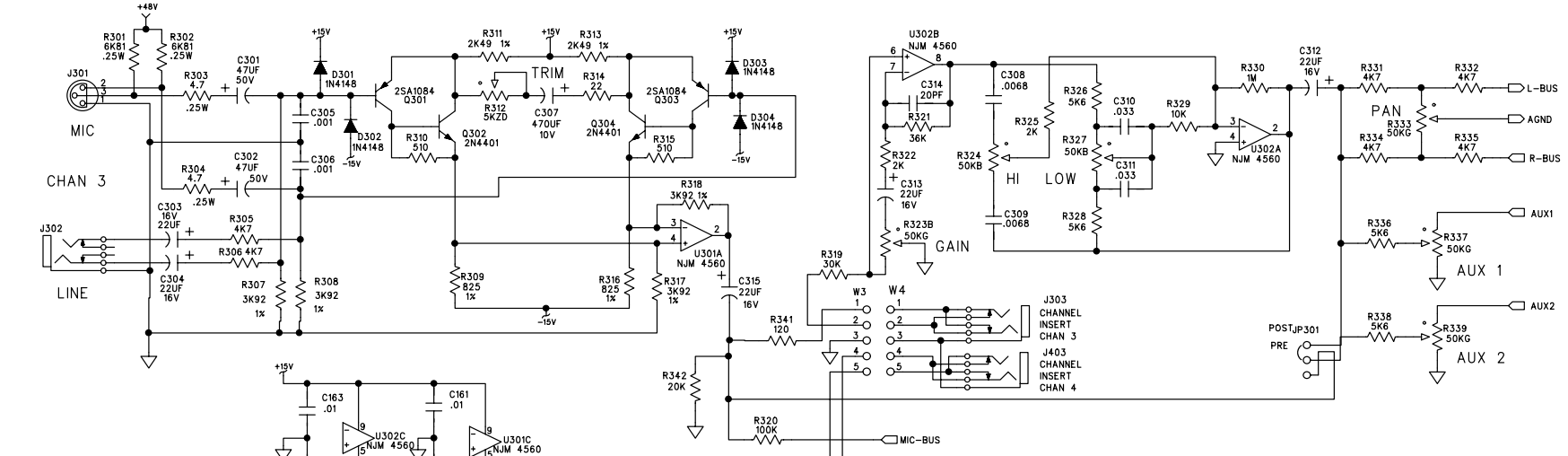
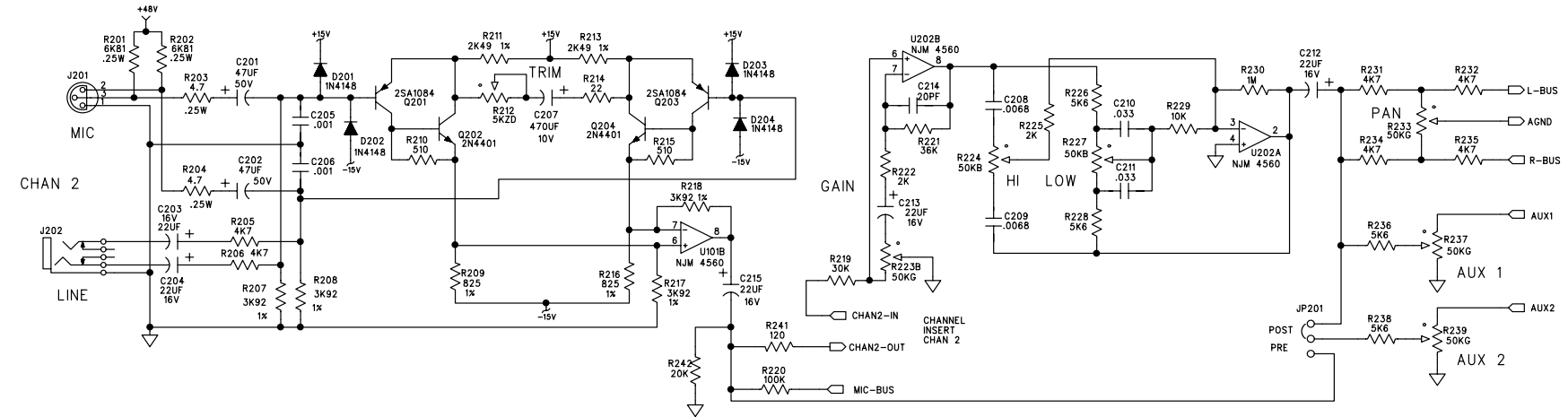
4

3

2

1

REVISION RECORD		
LTR	REVISION	DATE:
	SEE SHEET 1	



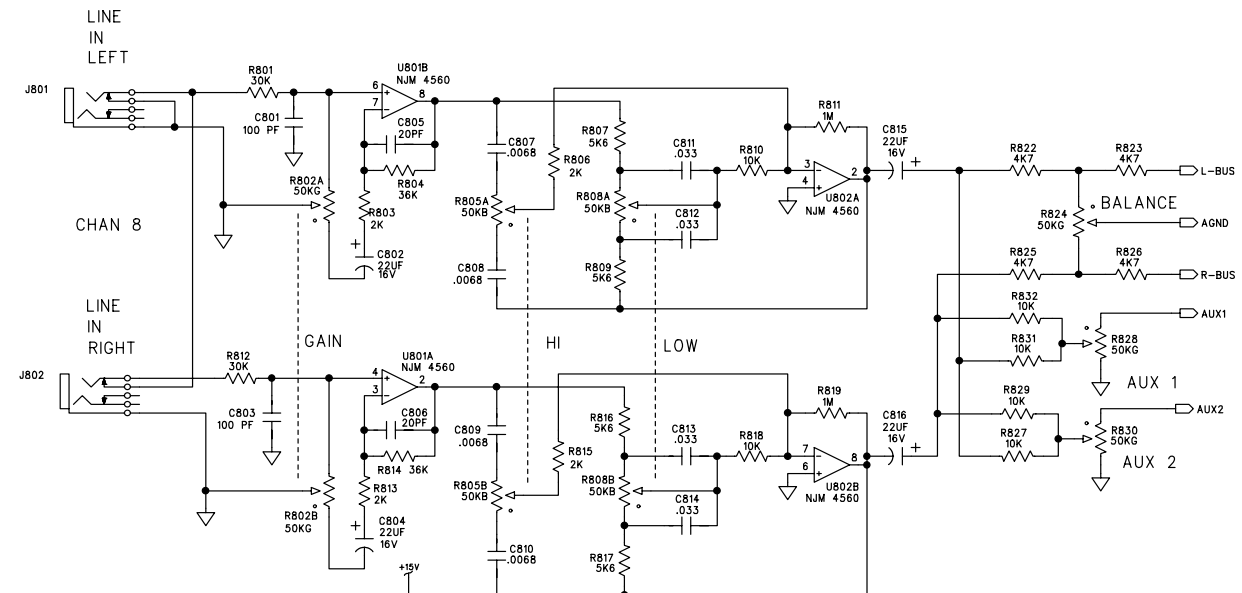
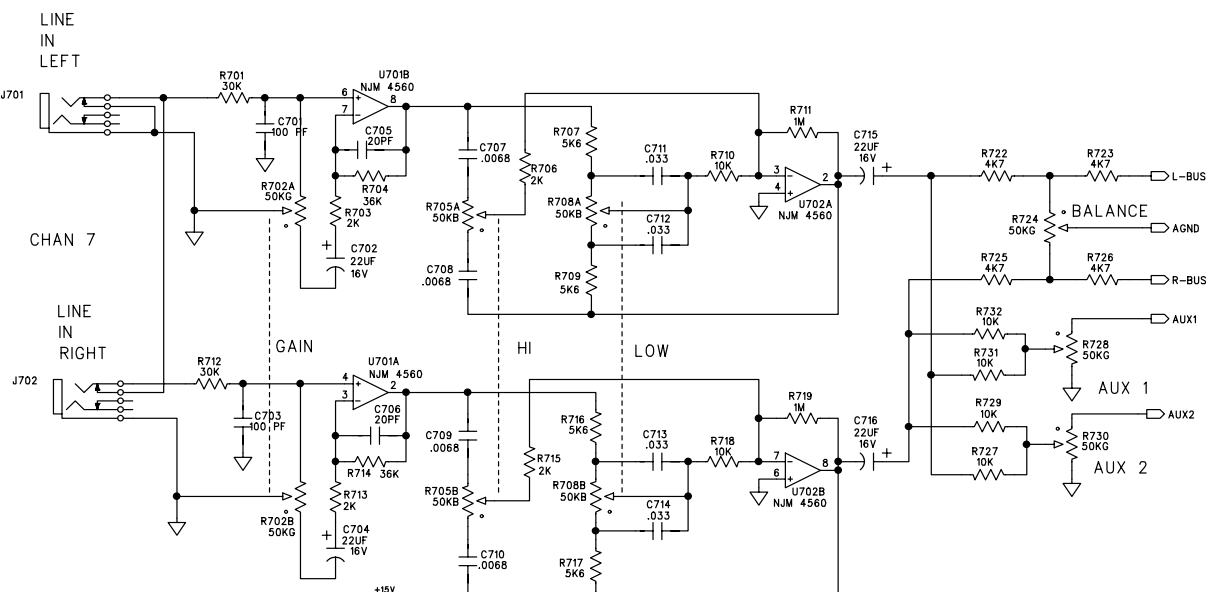
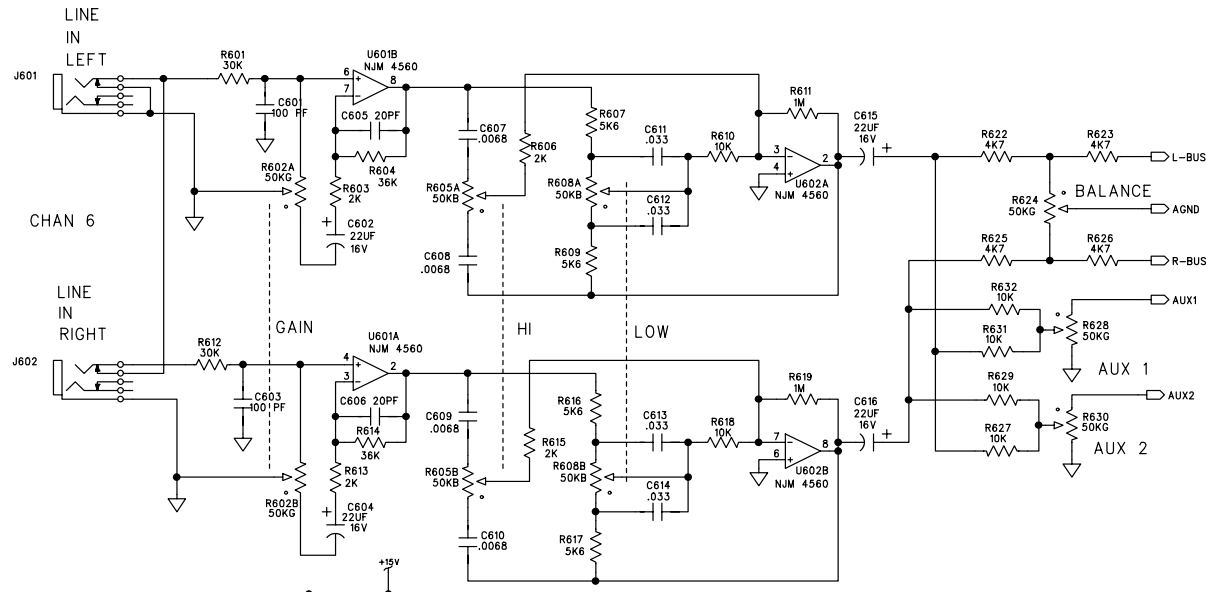
- 450-007-00 1202 CIRCUIT BOARD
- 700-011-00 SCREW BTN HD
- 700-011-00 SCREW BTN HD
- 760-003-00 BUTTON SW 9X5 MM
- 760-003-00 BUTTON SW 9X5 MM
- 700-012-00 SCREW PHP 4-40 X 3/8
- 700-012-00 SCREW PHP 4-40 X 3/8
- 706-009-00 STANDOFF NYLON BIVAR
- 706-009-00 STANDOFF NYLON BIVAR
- 706-009-00 STANDOFF NYLON BIVAR
- 706-009-00 STANDOFF NYLON BIVAR
- 706-009-00 STANDOFF NYLON BIVAR
- 706-009-00 STANDOFF NYLON BIVAR
- 706-009-00 STANDOFF NYLON BIVAR
- 706-009-00 STANDOFF NYLON BIVAR
- 706-009-00 STANDOFF NYLON BIVAR
- 706-009-00 STANDOFF NYLON BIVAR
- 706-009-00 STANDOFF NYLON BIVAR
- 706-009-00 STANDOFF NYLON BIVAR
- 706-009-00 STANDOFF NYLON BIVAR
- 706-009-00 STANDOFF NYLON BIVAR
- 706-009-00 STANDOFF NYLON BIVAR
- 706-009-00 STANDOFF NYLON BIVAR
- 706-009-00 STANDOFF NYLON BIVAR
- 706-009-00 STANDOFF NYLON BIVAR
- 706-009-00 STANDOFF NYLON BIVAR
- 706-009-00 STAND OFF SWAGE
- 706-008-00 STAND OFF SWAGE
- 706-007-00 STAND OFF
- 706-007-00 STAND OFF
- 706-007-00 STAND OFF
- 706-007-00 STAND OFF
- 706-007-00 STAND OFF
- 706-007-00 STAND OFF
- 706-007-00 STAND OFF
- 705-005-00 KEPNUT
- 705-005-00 KEPNUT

- 550-028-00 HEAT SINK
- 550-028-00 HEAT SINK

MACKIE.

DRAWN: CHUCK		DATED: 8-8-91		SCHEMATIC 1202	
CHECKED:		DATED:		SIZE	
QUALITY CONTROL:		DATED:		990-007-00	
RELEASED:		DATED:		REV: K	
SCALE:				SHEET: 2 OF 3	

REVISION RECORD		
LTR	ECO. NO.	DATE
	SEE SHEET 1	



MACKIE.

SCHEMATIC 1202

DRAWN: CHUCK	DATED: 8-8-91	SIZE:	DRAWING NO: 990-007-00	REV: K
CHECKED:	DATED:	SCALE:	SHEET: 3 OF 3	
QUALITY CONTROL:	DATED:			
RELEASED:	DATED:			

